

# SMS

## P50

plasma sterilizer



- low-temperature sterilization process
  - eco-friendly operation
    - instruments ready for use immediately after sterilization
      - compact tabletop design
        - no drainage or ventilation required

# P50

The P50 low-temperature plasma sterilizer has been designed to meet the need for an easy to use, reliable and economical tabletop sterilizing unit. It is perfectly suited for health care institutions that sterilize medical instruments and equipment made of heat sensitive materials in small batches. No toxic residues are released to the environment, only water vapor and oxygen. Our P50 is safe for the operator, the patient and environment.



## Common applications include sterilizing the following

- products made of synthetic polymer materials
- products made of metal (aluminium, titanium, stainless steel) and glass
- medical optical systems (and fiber-optic cables)
- medical electrical tools and cables
- endoscopes and various probes
- ultrasonic medical instruments
- ultrasonic sensors
- medical implants and tools used for their installation
- tube-shaped products made of stainless steel

## sterilization cycles

|               |  |
|---------------|--|
| 28<br>minutes | <b>SHORT</b><br><i>fast surface treatment<br/>of solid instruments</i> |
|---------------|--|

|               |   |
|---------------|---|
| 40<br>minutes | <b>STANDARD</b><br><i>most surgical<br/>instruments</i> |
|---------------|---|

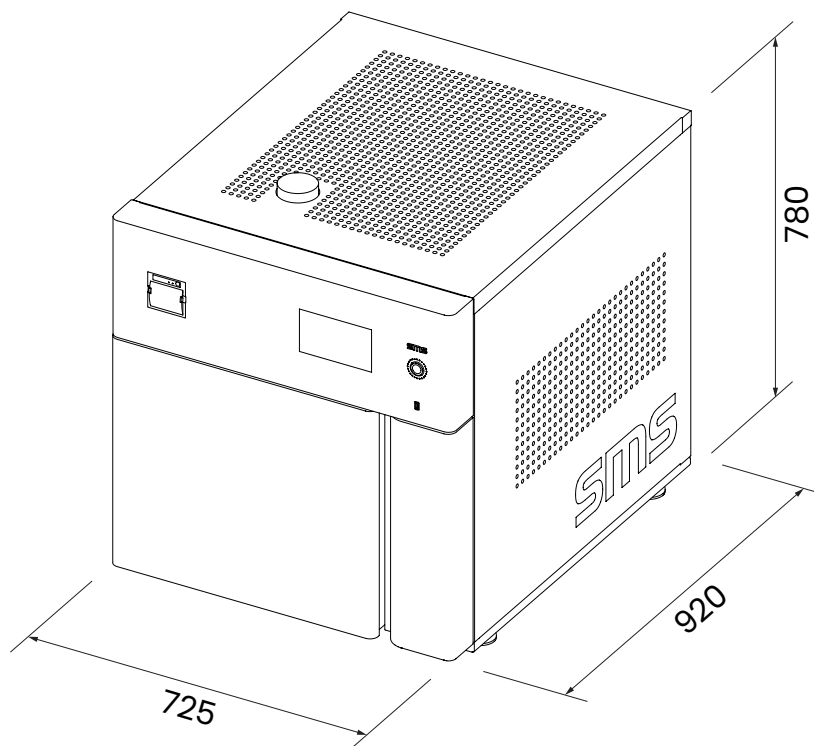
|               |  |
|---------------|--|
| 50<br>minutes | <b>ADVANCED</b><br><i>long flexible endoscopes<br/>and complicated items</i> |
|---------------|--|

## Characteristics

- single door tabletop sterilizer
- no drainage or ventilation required
- rectangular chamber with guides, on two levels, for sterilization trays
- vacuum test
- sterilized equipment is ready for use instantly after the sterilization process
- microprocessor controller assures a fully automatic and safe completion of the selected sterilization program
- 7" color touchscreen user friendly control panel
- process chart (temperature and pressure)
- printer with simple paper loading (bluetooth or Wi-Fi printers are an option)
- provides a print-out of the entire sterilization process, including alerts
- remote control and monitoring

SMS 58% H<sub>2</sub>O<sub>2</sub> sterilant agent is dedicated for our plasma sterilizers and guarantees flawless sterilization. Hydrogen peroxide sterilant agent bottles have a shelf life of 24 months from the date of manufacturing. Available in 4-pack boxes.





#### External dimensions

|          |        |
|----------|--------|
| - height | 780 mm |
| - width  | 725 mm |
| - depth  | 920 mm |

#### Sterilization chamber dimensions

|          |        |
|----------|--------|
| - height | 260 mm |
| - width  | 380 mm |
| - depth  | 650 mm |

#### Chamber volume

|          |      |
|----------|------|
| - total  | 64 l |
| - usable | 50 l |

#### Sterilization trays

|              |              |
|--------------|--------------|
| - dimensions | 610 x 320 mm |
| - quantity   | 2            |

|   |     |
|---|-----|
| Sterilizing factor - hydrogen peroxide (H <sub>2</sub> O <sub>2</sub> ) | 58% |
|---|-----|

|                           |         |
|---------------------------|---------|
| Sterilization temperature | 50-55°C |
|---------------------------|---------|

|                         |                    |
|-------------------------|--------------------|
| Electrical power supply | ~230V AC, 50/60 Hz |
|-------------------------|--------------------|

|       |        |
|-------|--------|
| Power | 2,3 kW |
|-------|--------|

|        |        |
|--------|--------|
| Weight | 200 kg |
|--------|--------|

### SMS sp. z o.o.

8 Norberta Adamowicza Street  
05-530 Góra Kalwaria, Poland

tel. +48 22 843 27 61  
fax +48 22 843 28 81

e-mail: [market@sms.com.pl](mailto:market@sms.com.pl)  
[www.sms.com.pl](http://www.sms.com.pl)