

SMS

P150

plasma sterilizer



low-temperature
sterilization process

eco-friendly
operation

instruments ready
for use immediately
after sterilization

no drainage or
ventilation required

P150

The P150 low-temperature plasma sterilizer is designed for sterilizing medical instruments and equipment made of heat-sensitive materials. For this it uses cold plasma that is generated in the chamber in a low vacuum. During the sterilization process hydrogen peroxide breaks down into oxygen and water, which are environmentally friendly and do not require disposal.

Common applications include sterilizing the following

- products made of synthetic polymer materials
- products made of metal (aluminium, titanium, stainless steel) and glass
- medical optical systems (and fiber-optic cables)
- medical electrical tools and cables
- endoscopes and various probes
- ultrasonic medical instruments
- ultrasonic sensors
- medical implants and tools for their installation
- tube-shaped products made of stainless steel

sterilization cycles

75 minutes	ADVANCED <i>long flexible endoscopes and complicated items</i>
----------------------	------------------------------------------------------------------------------

65 minutes	STANDARD <i>most surgical instruments</i>
----------------------	-----------------------------------------------------

30 minutes	SHORT <i>items not in contact with blood and other bodily fluids</i>
----------------------	------------------------------------------------------------------------------------

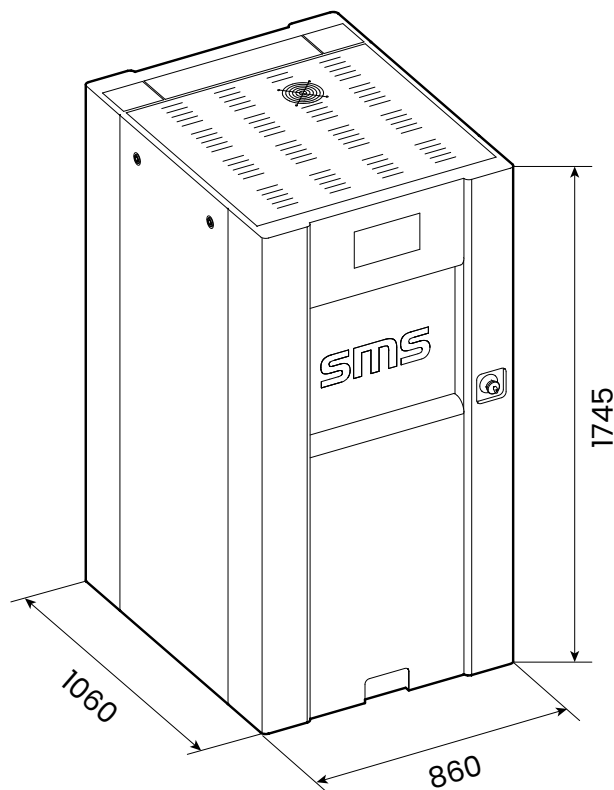




Characteristics

- single and double door versions
- no drainage or ventilation required
- rectangular chamber with guides, on two levels, for sterilization baskets
- vacuum test
- sterilized equipment is ready for use instantly after the sterilization process
- microprocessor controller assures a fully automatic and safe completion of the selected sterilization program
- 9.7" color touchscreen control panel on the loading side and a 4.3" touchscreen, with door controls, on the unloading side
- process chart (temperature and pressure)
- thermal printer with simple paper loading (bluetooth or Wi-Fi printers are an option)
- provides a print-out of the entire sterilization process, including alerts
- remote control and monitoring

SMS 58% H₂O₂ sterilant agent is dedicated for our P150 plasma sterilizer and guarantees flawless sterilization. Hydrogen peroxide sterilant agent bottles have a shelf life of 24 months from the date of manufacturing. Available in 4-pack boxes.



External dimensions

- height	1745 mm
- width	860 mm
- depth	1060 mm

Sterilization chamber dimensions

- height	400 mm
- width	450 mm
- depth	750 mm

Chamber volume

- total	135 l
- usable	103 l

Sterilization baskets

- dimensions	680 x 395 x 150 mm
- quantity	2

Sterilizing factor - hydrogen peroxide (H ₂ O ₂)	58%
-------------------------------------------------------------------------	-----

Sterilization temperature	50-55°C
---------------------------	---------

Electrical power supply	3N~ 400V, 50/60 Hz
-------------------------	--------------------

Power	4 kW
-------	------

Weight	390 kg
--------	--------

SMS sp. z o.o.

8 Norberta Adamowicza Street
05-530 Góra Kalwaria, Poland

tel. +48 22 843 27 61
fax +48 22 843 28 81

e-mail: market@sms.com.pl
www.sms.com.pl